

NEA 8020 Series Battery Cell Bypass Switches

Global Leader

NEA® Electronics, Inc. is a global leader in spacecraft mechanisms. Our low shock release devices are relied upon for spaceflight applications more than any other device.

Reliable

Our designs are reliable, simple, insensitive to adverse environments and backed up by years of heritage and loyal customers.

Quality Assured

NEA, a trusted supplier of mission critical components, is certified to ISO 9001:2008 and AS9100:2009 C

8020 Series Product Data Sheet

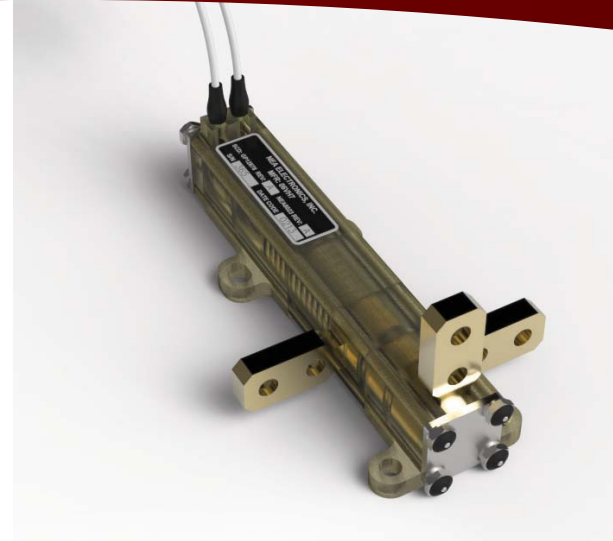
NEA, the global leader in non-pyrotechnic Hold Down & Release Mechanisms (HDRM) for the spacecraft market, brings this same highly reliable technology to battery protection applications with our complete line of Battery Cell Bypass Switches. Battery Cell Bypass Switches provide critical protection to battery assemblies in the event that one battery cell suffers an anomaly.

Principle of Operation

NEA's Battery Cell Bypass Switch is an electrically initiated, one-shot switch that bypasses and isolates failed battery cells. The switch consists of a spring-loaded plunger with multiple precious metal plated electrical contacts arranged in a Single-Pole, Double-Throw configuration and provides Make-Before-Break functionality as the plunger moves in the housing. The plunger is restrained using the same patented split-spool and bridge wire technology used in our Hold Down & Release Mechanisms.

Typically, switches are placed in series between battery cells and, when activated, bypass and isolate the failed cell from the battery assembly. Because of this configuration, bypass switches are always in-circuit and thus rated to carry a high continuous current for the duration of the mission. The design and construction of the bypass switch assure that there is no contact bounce during high dynamic loads seen during satellite launch. When activated, there are two features that ensure reliable system operation; Make-Before-Break functionality assures there is no voltage dropout during switching and low switch contact resistance assures high peak current carrying capability.

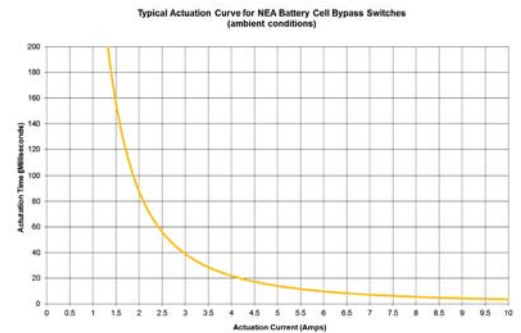
Several NEA switch models come with built-in Zener diodes that are used to autonomously redirect current through the actuation fuse wire when a failed cell is detected. This autonomous operation device can save considerable cost associated with battery cell sensing and switch actuation circuitry.



Key Features

- Available in non-autonomous and autonomous configurations
- Switch circuit can carry up to 100A of continuous current
- Single-Pole, Double-Throw (SPDT) Make-Before-Break power switch
- High reliability and long service life
- Low power switch resistance
- Lightweight
- Extended operating temperature range
- Can be operated with pyrotechnic initiation circuitry
- Range safety friendly
- Space-rated materials

Actuation Time



NEA 8020 Series Battery Cell Bypass Switches

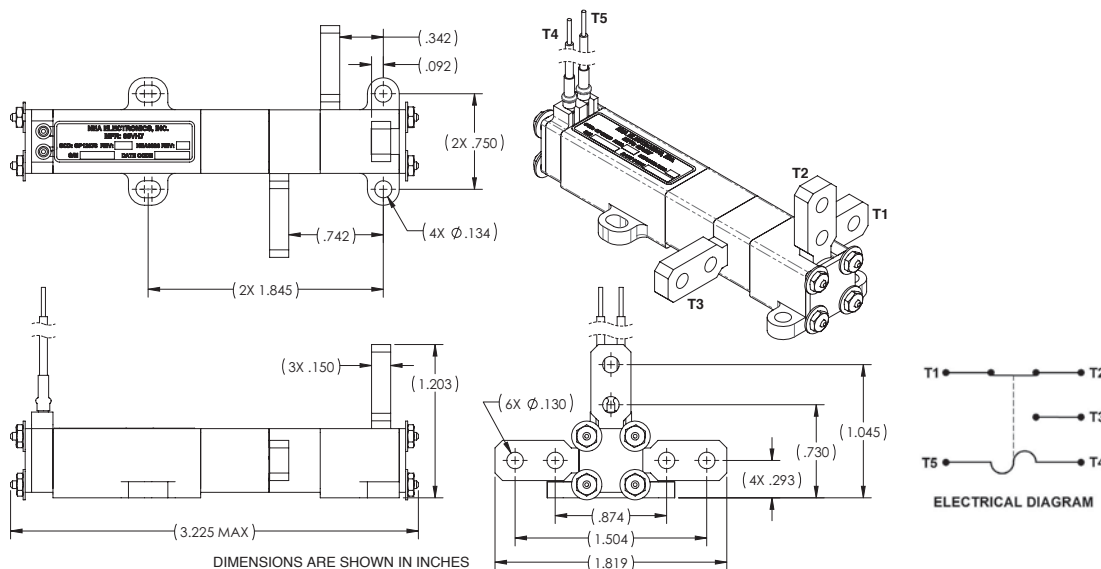
8020 Series Technical Specifications

Parameter	8020 Series Capability
Continuous Current Ratings	100 A
Switch Resistance	<250 $\mu\Omega$ @ 100 A
Fuse Wire Resistance	0.95 to 1.6 Ω @ 25°C
Minimum Actuation Current¹	1.2 A
Nominal Actuation Current	4 Amps for 25 ms
No-Fire Current² (continuity)	500 mA
Actuation Time³	<50 ms
Make Before Break Duration	<1 ms
Qualification Temperature Range⁴	-55°C to +85°C
Mass⁵	62 g (2.19 oz)

Notes:

- ¹Actuation can be achieved using a range of current, the value in the table is the value used for qualifying this device.
- ²No-fire current for 5 minutes or less as ambient temperature, consult NEA applications engineers for other no-fire current requirements.
- ³Actuation time is dependent on actuation current, contact applications engineering for more specific information on actuation time as a function of current.
- ⁴The values presented for qualification temperature range are not a measure of the limits of the device.
- ⁵Mass is representative and varies slightly with different specific part numbers within the series but does not include harnessing and lead wires.

Model 8023 Mechanical Interface Drawing



Note: Model 8023 Battery Cell Bypass Switch shown above as an example. Other models available with alternate mounting feet, terminal configurations and optional zener diodes for autonomous operation.

NEA® Electronics, Inc., 14370 White Sage Road, Moorpark, California 93021, USA | neaelectronics.com

NEA® is a registered trademark of NEA Electronics, Inc. This product and its components are protected under U.S. Patent Numbers 6,433,990 / 6,249,063 as well as France Patent Numbers 125567 / 9903335, U.K. Patent Number 1255675 and Germany Patent Number 60111923.1.

Attention: The information and recommendations described in this brochure cannot possibly cover every application of the products or variation of conditions under which the products are used. The recommendations herein are based on the manufacturer's experience, research and testing. They are believed to be accurate, but no warranties are made, express or implied. In addition, the specifications contained herein are all nominal which represent our current production. The products described may be subject to change. Please feel free to contact NEA® Electronics Inc. for verification. No Warranties or Liabilities: The products described herein are sold "AS IS" and without any warranty or guaranty, express, or implied, arising by law or otherwise including without limitation any warranty of merchantability or fitness for a particular purpose. Buyer and user agree further to release and discharge seller from any and all liabilities whatsoever arising out of the purchase or use of any product described herein whether or not such liability is occasioned by seller's negligence or based upon strict products liability or upon principles of indemnity or contribution. Content©2014 NEA® Electronics, Inc., Moorpark, CA 93021, U.S.A.

Mission Success

NEA® Electronics, Inc. is dedicated to building mankind's legacy in space by supporting our customers in the aerospace industry through on time delivery of innovative products that exceed expectations and assure mission success.