

## Global Leader

NEA® Electronics, Inc. is a global leader in spacecraft mechanisms. Our low shock release devices are relied upon for spaceflight applications more than any other device.

## Reliable

Our designs are reliable, simple, insensitive to adverse environments and backed up by years of heritage and loyal customers.

## Quality Assured

NEA, a trusted supplier of mission critical components, is certified to ISO 9001:2008 and AS9100:2009 C

# NEA Model 2545 Pin Puller

## Model 2545 Product Data Sheet

The same Split-Spool technology that made NEA the global leader in non-pyrotechnical Hold Down & Release Mechanisms is also available in NEA's Pin Puller mechanisms. The NEA Model 2545 Pin Puller can provide pull forces from 111 N to 200 N (25 lbf to 45 lbf).

## Applications

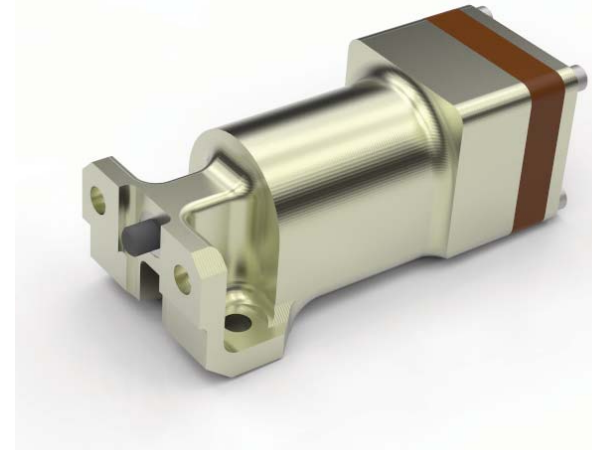
Typical applications include:

- Antennas
- Scientific instruments
- Solar arrays
- Reflectors
- Satellite, spacecraft payloads
- Booms and masts
- Stage separation
- Caging mechanisms

## Principle of Operation

NEA Pin Pullers consist of a spring-loaded plunger that is restrained using the same patented split-spool and bridge wire technology used in our Hold Down & Release Mechanisms. The spool subassembly includes two spool halves which are held together by a tight winding of a restraining wire that terminates in a bridge wire connecting two electrical terminals at the electrical interface to the device. The spool assembly, by virtue of the restraining wire winding, can prevent axial motion of the plunger. When sufficient electrical current is passed through the terminals and the bridge wire, the bridge wire heats up and breaks under the applied tension load. This allows the restraining wire to unwind, separating the spool halves and releasing the spring-preloaded plunger.

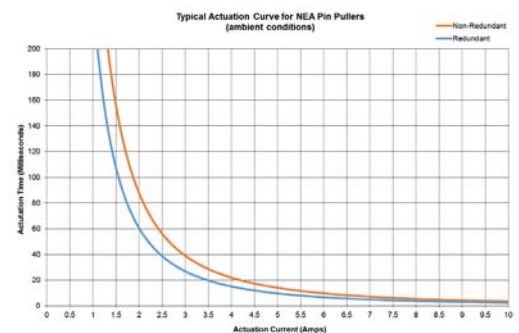
The actuation method is simple and reliable and forms the basis of actuation for many of NEA's other products including: Release Mechanisms, Battery Cell Bypass Switches and Non-Pyrotechnic Valves.



## Key Features

- Extremely low release shock
- Redundant or non-redundant actuation circuit
- Near simultaneous release of multiple hold-down points (<10 ms)
- Extended operating temperature range
- Can be operated with pyrotechnic initiation circuitry
- Range safety friendly
- Space-rated materials
- Factory refurbishment

## Actuation Time



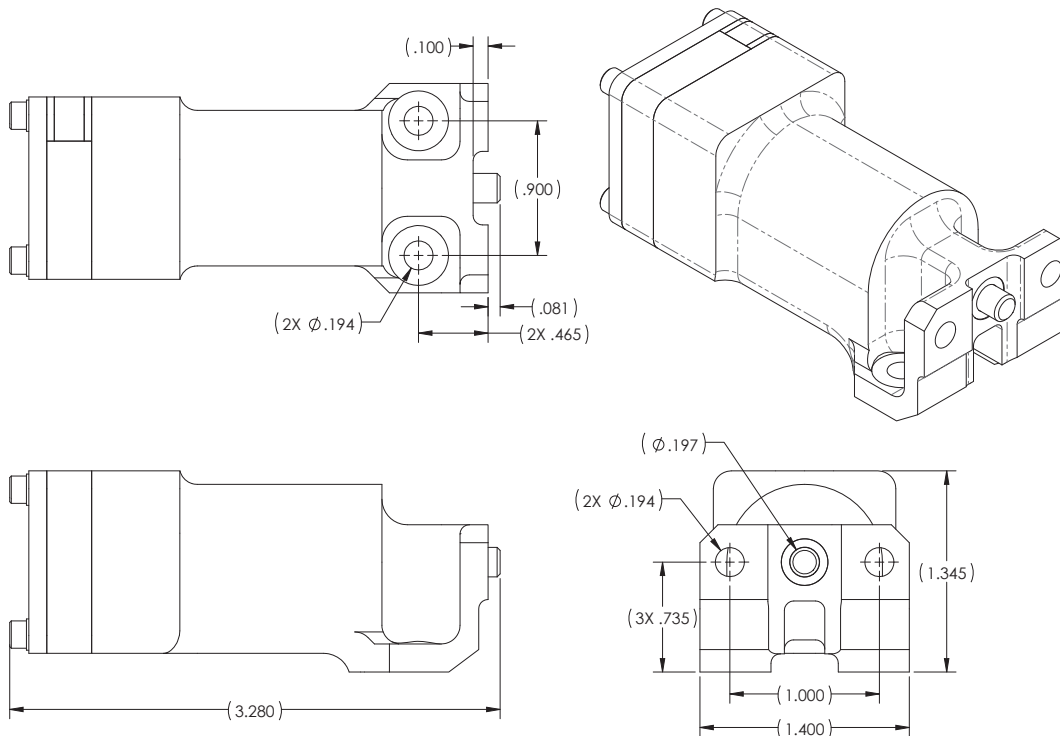
# NEA Model 2545 Pin Puller

## Model 2545 Technical Specifications

Parameter	Capability
<b>Pull Force at Beginning of Stroke</b>	200 N (45 lbf)
<b>Pull Force at End of Stroke</b>	111 N (25 lbf)
<b>Fuse Wire Resistance</b>	1.2 to 2.0 $\Omega$ @ 25°C
<b>Actuation Current<sup>1</sup></b>	4 Amps for 25 ms
<b>No-Fire Current<sup>2</sup> (continuity)</b>	250 mA
<b>Release Time<sup>3</sup></b>	<50 ms
<b>Qualification Temperature Range<sup>4</sup></b>	-101°C to +172°C
<b>Mass<sup>5</sup></b>	182 g (0.40 lb)

- Notes:
- <sup>1</sup>Actuation can be achieved using a range of current, the value in the table is the value used for qualifying this device.
  - <sup>2</sup>No-fire current for 5 minutes or less as ambient temperature, consult NEA applications engineers for other no-fire current requirements.
  - <sup>3</sup>Release time is dependent on actuation current, contact applications engineering for more specific information on actuation time as a function of current.
  - <sup>4</sup>The values presented for qualification temperature range are not a measure of the limits of the device.
  - <sup>5</sup>Mass does not include harnessing and lead wires.

## Model 2545 Mechanical Interface Drawing



NEA® Electronics, Inc., 14370 White Sage Road, Moorpark, California 93021, USA | [neaelectronics.com](http://neaelectronics.com)

NEA® is a registered trademark of NEA Electronics, Inc. This product and its components are protected under U.S. Patent Numbers 6,433,990 / 6,249,063 as well as France Patent Numbers 125567 / 9903335, U.K. Patent Number 1255675 and Germany Patent Number 60111923.1.

Attention: The information and recommendations described in this brochure cannot possibly cover every application of the products or variation of conditions under which the products are used. The recommendations herein are based on the manufacturer's experience, research and testing. They are believed to be accurate, but no warranties are made, express or implied. In addition, the specifications contained herein are all nominal which represent our current production. The products described may be subject to change. Please feel free to contact NEA® Electronics Inc. for verification. No Warranties or Liabilities: The products described herein are sold "AS IS" and without any warranty or guaranty, express, or implied, arising by law or otherwise including without limitation any warranty of merchantability or fitness for a particular purpose. Buyer and user agree further to release and discharge seller from any and all liabilities whatsoever arising out of the purchase or use of any product described herein whether or not such liability is occasioned by seller's negligence or based upon strict products liability or upon principles of indemnity or contribution. Content©2014 NEA® Electronics, Inc., Moorpark, CA 93021, U.S.A.

## Mission Success

NEA® Electronics, Inc. is dedicated to building mankind's legacy in space by supporting our customers in the aerospace industry through on time delivery of innovative products that exceed expectations and assure mission success.